

# BEDLINER DATA FORM

NOTE: Completely fill out this form and send or fax it to American Made Liner Systems when ordering. American Made is not responsible for verbally transmitted liner data.

Phone: 412.771.3300  
 Fax: 412.771.3323  
 www.linersystems.com  
 sales@linersystems.com



Bill To:

Ship To:

Ship Date: \_\_\_\_\_ Indicate Carrier: \_\_\_\_\_ S.O.#: \_\_\_\_\_

Contact: \_\_\_\_\_ Phone: \_\_\_\_\_ Fax: \_\_\_\_\_

P.O.#: \_\_\_\_\_ Your Customer: \_\_\_\_\_ Dump Body Make: \_\_\_\_\_

Year: \_\_\_\_\_ Material Hauled: \_\_\_\_\_

Dump Body Material:  Alum.  Steel  New Body  Used Body:

## QUANTITY & BEDLINER ORDERED:

\_\_\_\_\_ RE-PRO 8 (8 ft. wide continuous)  
 \_\_\_\_\_ RE-PRO 10 (10 ft. wide continuous)  
 \_\_\_\_\_ RE-PRO 12 (12 ft. wide continuous)

\_\_\_\_\_ ASPHALT CAPABLE LINER  
 \_\_\_\_\_ E-Z 8 (8 ft. wide continuous)  
 \_\_\_\_\_ E-Z 10 (10 ft. wide continuous)

Liner Thickness: \_\_\_\_\_

## OPTIONS:

_____ Dog Box	Thicktails:		
_____ Nosewrap*	<u>8' Wide</u>	<u>10' Wide</u>	<u>12' Wide</u>
_____ 2 ft. Walls*	4 ft. _____	4 ft. _____	5 ft. _____
_____ 4 ft. Walls*	8 ft. _____	8 ft. _____	10 ft. _____
_____ Tailgate*	12 ft. _____	12 ft. _____	15 ft. _____

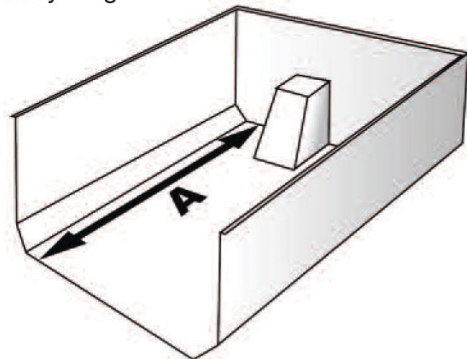
\*indicate thickness for each option

## COMMENTS:

\_\_\_\_\_  
 \_\_\_\_\_  
 \_\_\_\_\_  
 \_\_\_\_\_  
 \_\_\_\_\_

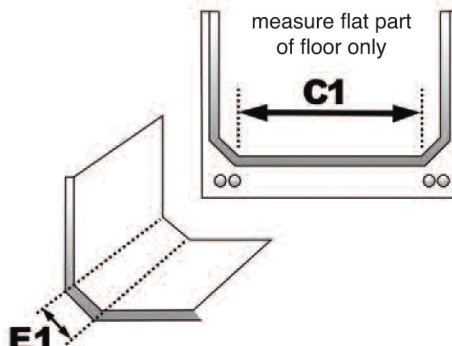
## Enter Your Measurements Here Note: All dimensions must be exact (+/- 1/8") to ensure proper fabrication of Dump Body Liner.

Use this diagram to measure body length.



**A** \_\_\_\_\_ inches

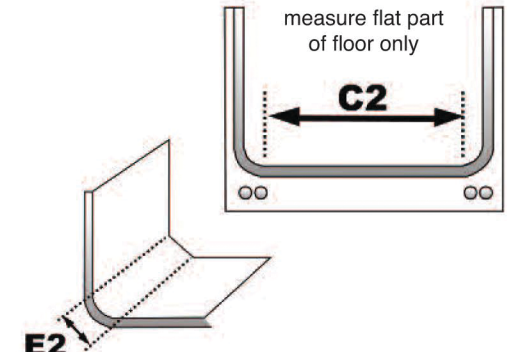
Use this diagram for squared corner bodies.



**C1** \_\_\_\_\_ inches

**E1** \_\_\_\_\_ inches

Use this diagram for round corner bodies.



**C2** \_\_\_\_\_ inches

**E2** \_\_\_\_\_ inches