



BEDLINER DATA FORM

NOTE: Completely fill out this form and send or fax it to American Made Liner Systems when ordering. American Made is not responsible for verbally transmitted liner data.

Phone: 412.771.3300
 Fax: 412.771.3323
 www.linersystems.com
 info@linersystems.com

Protective Linings for Industrial Applications

Bill To:

Ship To:

Ship Date: _____ Indicate Carrier: _____ S.O.#: _____

Contact: _____ Phone: _____ Fax: _____

P.O.#: _____ Your Customer: _____ Dump Body Make: _____

Year: _____ Material Hauled: _____

Dump Body Material: Alum. Steel New Body Used Body:

QUANTITY & BEDLINER ORDERED:

_____ RE-PRO 8 (8 ft. wide continuous)
 _____ RE-PRO 10 (10 ft. wide continuous)
 _____ RE-PRO 12 (12 ft. wide continuous)

_____ ASPHALT CAPABLE LINER
 _____ E-Z 8 (8 ft. wide continuous)
 _____ E-Z 10 (10 ft. wide continuous)

Liner Thickness: _____

OPTIONS:

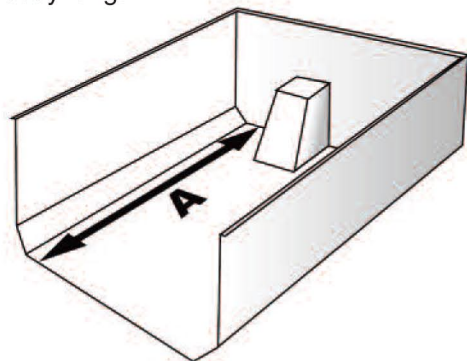
_____ Dog Box	RE-PRO/ECO_PRO Thicktails:		
_____ Nosewrap*	<u>8' Wide</u>	<u>10' Wide</u>	<u>12' Wide</u>
_____ 2 ft. Walls*	4 ft. _____	4 ft. _____	5 ft. _____
_____ 4 ft. Walls*	8 ft. _____	8 ft. _____	10 ft. _____
_____ Tailgate*	12 ft. _____	12 ft. _____	15 ft. _____

*indicate thickness for each option

COMMENTS:

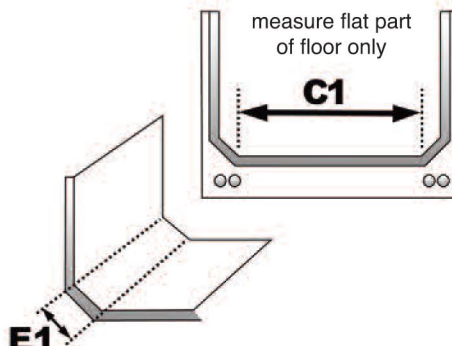
Enter Your Measurements Here Note: All dimensions must be exact (+/- 1/8") to ensure proper fabrication of Dump Body Liner.

Use this diagram to measure body length.



A _____ inches

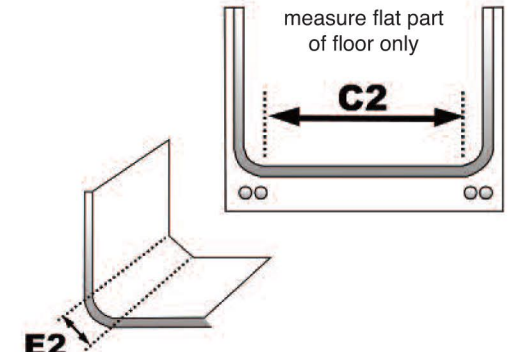
Use this diagram for squared corner bodies.



C1 _____ inches

E1 _____ inches

Use this diagram for round corner bodies.



C2 _____ inches

E2 _____ inches